



SGBS-360

2D WIRED HAND-HELD SCANNER
Imager 2D Plug and Play scanner



SAGA 

The SAGA brand offers a range of point-of-sale peripherals such as the SGBS-360 scanner. The **2D wired** hand-held imager scanner is connected to the POS or central unit via USB.

The SGBS-360 is the scanning solution for reading simple and complex codes (QR codes, PDF codes, etc.) and capturing data from smartphones and other digital media. It offers remarkably aggressive reading and features two operating modes: manual (trigger activation) or automatic (on support). The **LED line** at the top indicates when it is switched on, providing a dynamic, modern look.

It is delivered with its support and with a USB Interface kit including the cable and simplified programming manual.



PRODUCT ADVANTAGES

- Supplied in kit form: USB cable, stand and programming manual
- 2D imager technology
- Can read codes from smartphones and tablets
- Revamped design for improved handling

SCANNER SPECIFICATIONS

Image sensor	CMOS - 32-bit ARM CPU
Light source	Red light-emitting diode
Scanning speed	60 scans/sec
Image size	640 x 480 pixels
Printed contrast	30%
Scanning angle	Roll: 360°, Skew: +/-65°, Pitch: +/-65°
Depth of field	60-360 mm (13mil, PCS 90%)
Scanning accuracy	3 mil
Operating mode	Manual and automatic
Interface	USB-HID, USB-VCP
Reading indicator	Led and Buzzer
Code capture	1D: Codabar, Code 11, Code 39, Code 32, Interleaved 2 of 5, Matrix 2 of 5, Code 93, Code 128, GS1-128, UPC-A, UPC-E, EAN 13, GS1 Databar, RSS14, GS1 Databar Limited, GS1 Databar Expanded, etc. 2D: PDF417, Micro PDF417, QR Code, Micro QR, DataMatrix, Aztec code



POWER SUPPLY

Voltage	3.6 Volts - 5.5 Volts
Operating current	142 mA
EMC	CE & FCC Compliant DOC

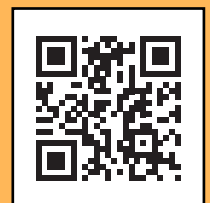
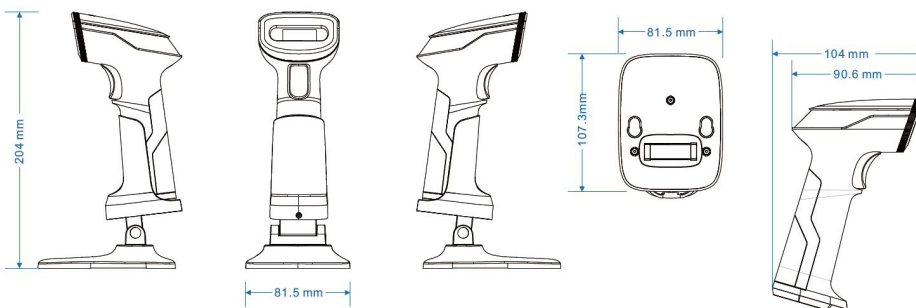


PHYSICAL SPECIFICATIONS

Dimensions	L x W x H: 104 x 81.5 x 204 mm
Weight	185g
Materials	ABS +TPU plastic
Cable	Standard 1.5 metres
Base	Hand-held scanner included

ENVIRONMENT

Operating temperature range	-10°C to 50°C
Storage temperature	-20°C to 60°C
Humidity	Relative humidity of 5% to 95% without condensation
Primary light source exposure	Up to 100,000 Lux
Shock resistance	Will withstand a fall from 1.5 m



Flash this code to check out the latest news on PERIMATIC